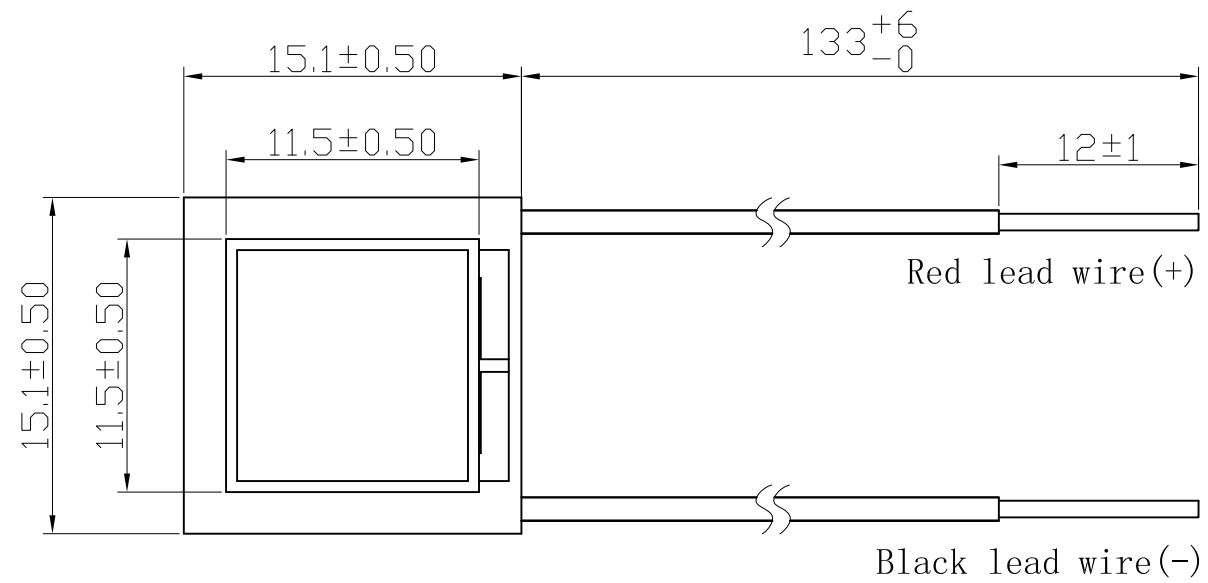
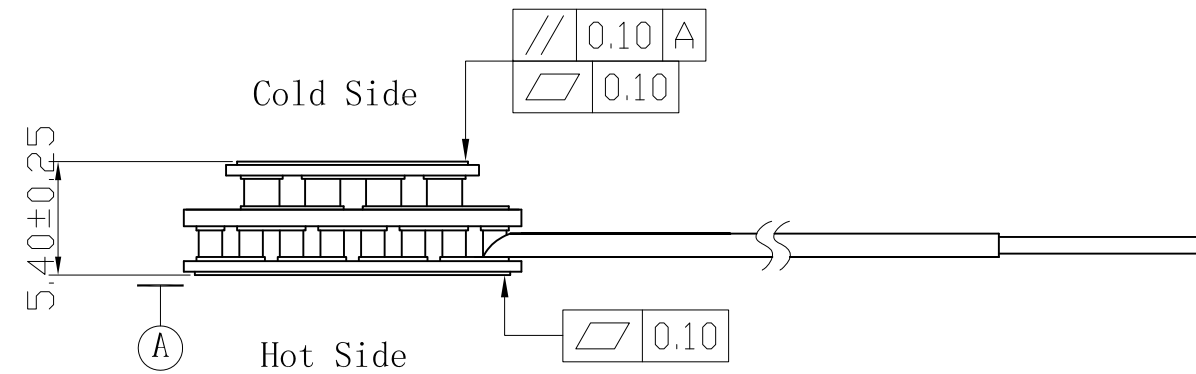


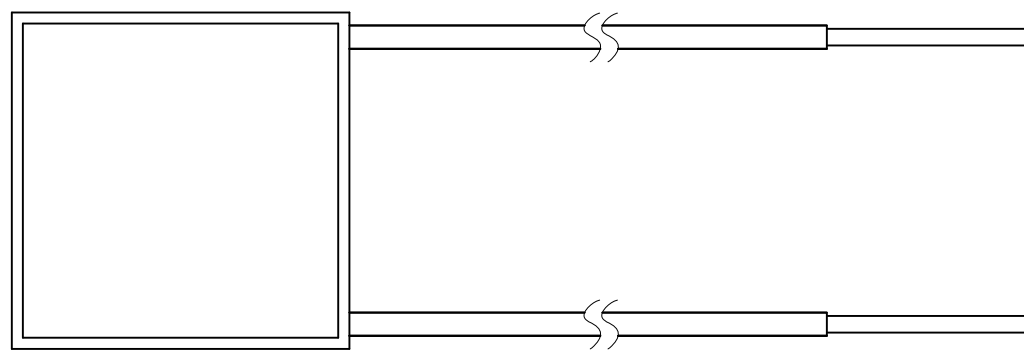
FERROTEC CONFIDENTIAL



- 1).The resistance of the module shall be within 0.583 to 0.710 ohms at an ambient temperature of 25 degrees Celsius.
- 2).Material of lead wires: #22 AWG Type-E Teflon MIL-W-16878E/4.
- 3).The end of the lead wires shall be pre-tinned.
- 4).The upper substrate shall be cold side if connecting the Red wire to the positive pole of the power.
- 5).Both side shall be metalized with copper.



ROHS COMPLIANCE



Item	Value	Conditions
I _{max}	4.8A	Q _c =0, DT=DT _{max} , Th=50°C
V _{max}	4.1V	Q _c =0, I=I _{max} , Th=50°C
DT _{max}	105 °C	Q _c =0, I=I _{max} , Th=50°C
Q _{cmax}	4.0W	I=I _{max} , DT=0, Th=50°C
Th _{max}	200 °C	Maximum Processing Temperature



General Dimension Tolerance				PLs	Date	Summary Of Modification	By	Designed	2014/6/19	Finished Mark	Title		Proj.	
Process	Cutting		Forging					Fangliang Hou	2014/6/19	Material	2020/038/048M		3	
	Common	Special	Common								Drawing Number		Angle	
Size Range								Checked	2014/6/19	Finish	T1406-2500E		1/1	
less than 6	±0.1							FTH	Approved	Raw Material Size	P/N	8B319	Scale:	Rev.
6 up to 30	±0.2	±0.15	±0.5					FT	Approved	Raw Material Weight	Do Not Scale		Z	
30 up to 120	±0.3	±0.2	±0.7					FT	Approved					
120 up to 315	±0.5	±0.25	±1.0											
315 up to 1000	±0.8	±0.4	±1.5											
Angel	±5°	±1°	±5°					FTU	Approved					