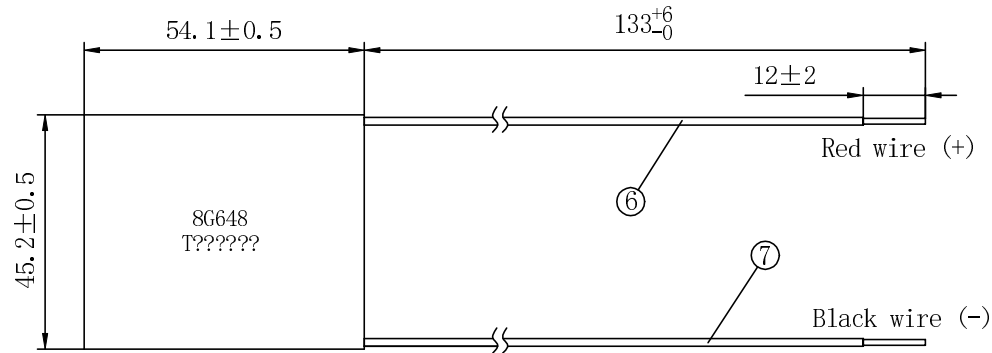


008E-3800ZL

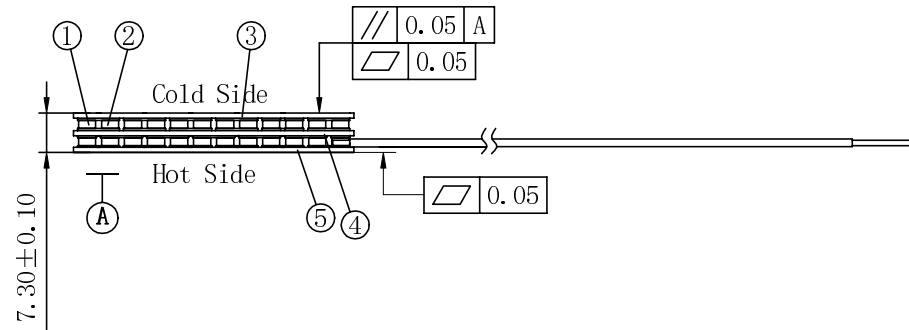


FERROTEC CONFIDENTIAL

- 1) The resistance of the module shall be within 0.246 to 0.301 ohms at an ambient temperature of 25 degrees Celsius.
- 2) The lead wire material: #18 AWG Type-E Teflon MIL-W-16878E/4.
- 3) The end of the lead wires shall be pre-tinned.
- 4) Lot Number and Part Number shall be stamped on the cold side with black color.

ROHS/REACH COMPLIANCE

Item	Value	Conditions(Vacuum)
I _{max}	23.0A	Qc=0, DT=DT _{max} , Th=50°C
V _{max}	8.2V	Qc=0, I=I _{max} , Th=50°C
DT _{max}	79.0°C	Qc=0, I=I _{max} , Th=50°C
Q _{cmax}	74W	I=I _{max} , DT=0, Th=50°C
Th _{max}	200.0°C	Maximum Processing Temperature



7	BLACK WIRE	PTFE	1	
6	RED WIRE	PTFE	1	
5	HOT SIDE SUBSTRATE	Alumina	1	
4	MIDDLE SUBSTRATE	Alumina	1	
3	COLD SIDE SUBSTRATE	Alumina	1	
2	N-TYPE DICE	Bi2Te3	94	
1	P-TYPE DICE	Bi2Te3	94	
SN	PN	MATERIAL	QTY	REMARKS

Ferrotec	Designed	Mei Yang	2020.4.7	Finished Mark	Title	Proj.
	Checked	Yongqing Wu	2020.4.7	Material	2020/094/230B	3
	Approved			Finish	Drawing Number	Angle
	Approved			Raw Material Size	T2003-3800	Sheet
	Approved			Raw Material Weight	P/N	1
	Approved				8G648	Rev.
					Scale:	Z
					1:1	

借通用件登记
媒体编号
插图
签字
日期